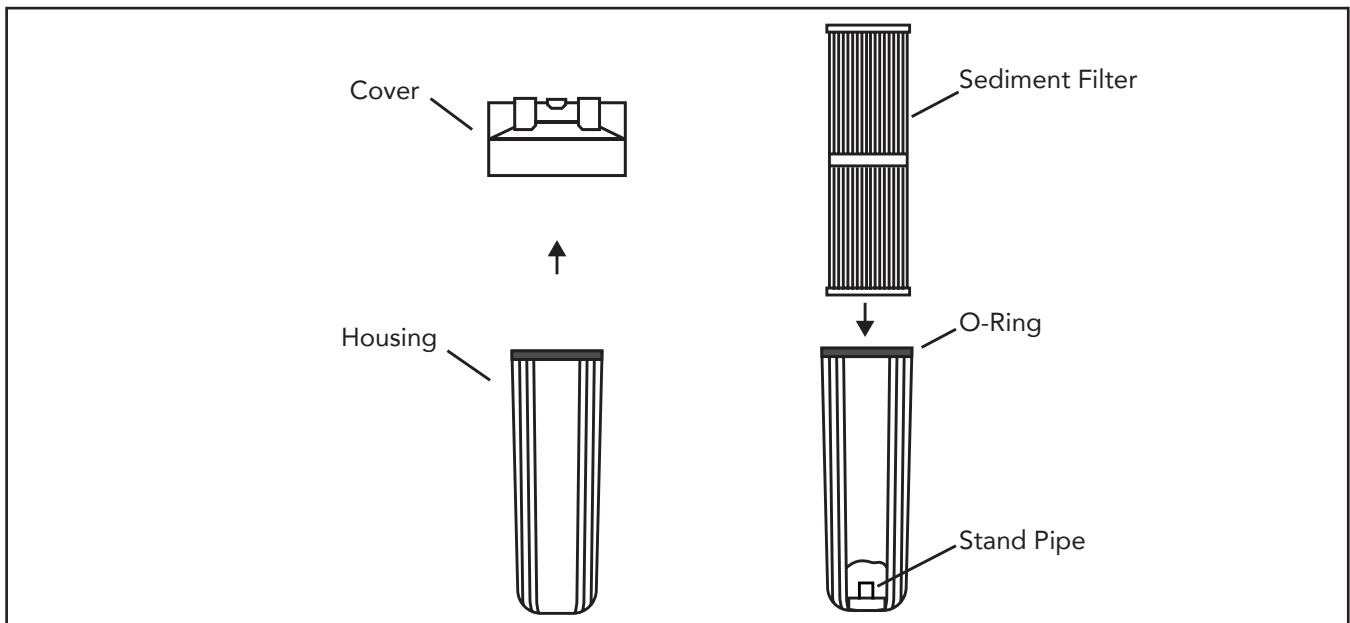


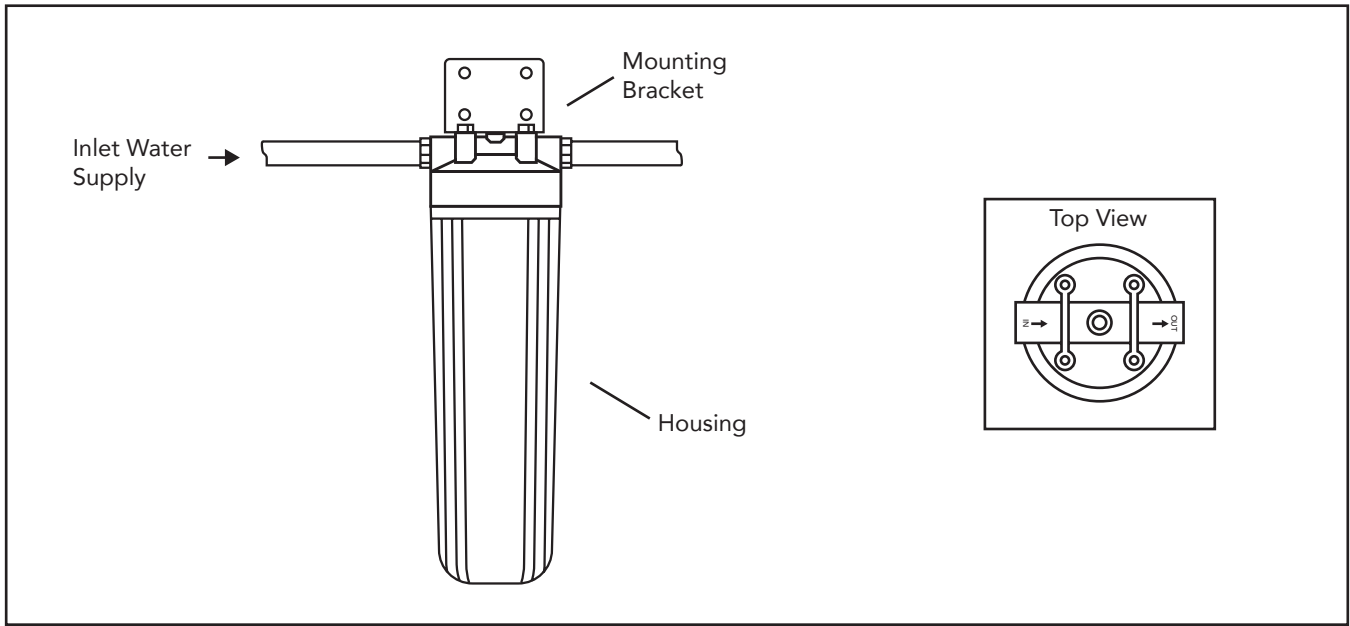
Installation

5 Micron Particulate Filter System



- 1 Unscrew the cover from the housing
- 2 Remove the plastic covering from the Sediment Filter
- 3 Place the Sediment Filter onto the Stand Pipe in the housing
- 4 Screw the cover onto the housing until hand-tight

5 Micron Particulate Filter System



- 1 Shut off the water
- 2 Attach the Mounting Bracket to the wall using the supplied Phillips head screws and washers
- 3 Attach the system to the Mounting Bracket using the supplied Bolt Head Screws
- 4 Lube the o-ring with clean silicone grease before attaching the cover onto the housing
- 5 Tighten the housing using the supplied wrench (counter clockwise)
- 6 Determine the size of your inlet water supply line. PVC reducers may be needed to fit the 1" system

NOTE

The housing comes with a 1" threaded female inlet/outlet and will require additional fittings to adapt to your plumbing. A shut-off valve is recommended prior to the system